

RSBM BUCKET

斗阳重工



BUCKET MASTER IN CHINA

As proud owner of RSBM Bucket, it is important that you keep being satisfied



Accept OEM&ODM

RSBM Attachments is dedicated to being a global leader in the design, manufacturing, and supply of premium excavator attachments. Trusted by professionals worldwide, our products are known for their exceptional durability and performance. We use only high-strength steels such as HARDOX500, NM400, Q550, and Q355—carefully selected to ensure optimal performance in diverse working environments.

RSBM Attachments offers a versatile range of premium excavator attachments for machines ranging from 1 to 120 tons. Each attachment is crafted using top-grade steel and engineered to meet the highest industry standards, ensuring unmatched durability, efficiency, and reliability. Our products support a wide array of applications, including:

- General Excavation & Earthworks
- Demolition & Recycling
- Construction Site Tools
- Water Conservancy & Agriculture
- Pipeline & Infrastructure
- Forestry & Landscaping
- Waste Management & Recycling
- Mining & Quarrying
- Road & Bridge Construction

Whether working in harsh environments or on highly specialized projects, RSBM Attachments guarantees superior performance and reliability.

Our Vision

At RSBM Attachments, we are guided by our core values: Quality First, Reputation Foremost, and Customer-Centered Service. Our mission is to deliver robust, high-performance solutions that are tailored to the unique demands of every project. We strive to be your trusted partner, providing attachments that drive productivity and excellence on every job site.

2009

Since in 2009

50+

Patents

300+

Products

4

Categories

10,000+

Customized Products

9+

Application

Contents

● Excavator Bucket	01
● Heavy Duty Rock Bucket	02
● Mud Bucket/ Tilting Bucket	03
● Skeleton Bucket	04
● Rake	05
● Trapezoid Bucket	06
● Ripper/ Ripper Bucket	07
● Compaction Wheel	08
● Grading Beam/ Hydraulic Compactor	09
● Hydraulic Grab Bucket/ Manual Grapple	10
● Hydraulic Grapple/ Hydraulic Rotating Grapple	11
● Thumb	12
● Clamshell Bucket/ Sorting Grab/ Orange Peel Grapple	14
● Tree Cutter/ Stump Shear/ Stump Remover	15
● Flail Mulcher/ Broom	16
● Quick Hitch	17
● Pulverizer	18
● Side Type Hydraulic Breaker	19
● Top Type Hydraulic Breaker	20
● Box Type Hydraulic Breaker	21
● Crusher Bucket/ Drag Bucket	22
● Rotary Screening Bucket/ Hydraulic Shear/ Excavator Magnet Lift	23
● Pile Hammer/ Earth Auger	24
● Boom&Arm	25
● Loader Bucket	26
● OEM&ODM	27
● How to Contact Us	28

Excavator Bucket

Features:

Excavator buckets are essential attachments used for digging, loading, and carrying materials on construction sites.

Bucket Sizes: Available in different sizes to match the excavator's size and application requirements.

Bucket Materials: Typically made of high-strength steel for durability and wear resistance.

Bucket Teeth: Replaceable teeth or cutting edges to extend the bucket's lifespan and maintain optimal digging performance.

Bucket Shapes: The shape of the bucket influences its digging and loading capabilities. Some buckets have straight edges for digging, while others have curved edges for loading and dumping.

Bucket Capacity: The capacity of the bucket determines how much material it can hold, ranging from small buckets for precision work to large buckets for heavy-duty applications.

Durability: Built to withstand the rigors of heavy-duty use, ensuring long-term reliability and performance.

RSBM have 4 types of regular bucket, Standard Bucket, Heavy Duty Bucket, Rock Bucket and Heavy Duty Rock Bucket. Each designed for specific tasks.

Standard Bucket



Heavy Duty Bucket



Rock Bucket



Heavy Duty Rock Bucket



Heavy Duty Rock Bucket

Features:

Heavy Duty Rock Bucket is engineered for the toughest mining operations, delivering exceptional durability and performance in extreme conditions.

Made from high-strength steel, it offers outstanding wear resistance, ensuring long-lasting use when handling hard rocks and minerals.

The reinforced structure and optimized design enhance excavation and material handling efficiency.

Whether in quarries, mining sites, or other heavy-duty applications, our rock bucket is the ideal choice for maximizing productivity and reliability.

RSBM provides heavy-duty mining attachments built for extreme durability and efficiency.



Compatible with machines like CAT 390, PC1250, EX1200, WA800 and so on. Our attachments are made of Hardox steel and feature a reinforced structure, ensuring reliable performance in the toughest conditions.


Application:

Heavy Duty Rock Bucket is built for extreme mining conditions, offering unmatched durability and performance in handling heavy loads and debris in harsh environments.



Mud Bucket


Features:

Excavator mud buckets, also known as ditching buckets or grading buckets, are specialized attachments used for excavating and shaping ditches, trenches, and slopes.

Wide Opening: Have a wide opening to allow for efficient loading and unloading of materials such as soil, gravel, and debris.

Flat Bottom: The bottom of a mud bucket is typically flat, allowing for precise grading and leveling of surfaces.

Reinforced Design: Reinforced with wear-resistant steel to withstand the abrasive nature of digging in mud and other soft materials.

Curved Side Plates: Have curved side plates that help contain and control the material being excavated, reducing spillage and improving efficiency.

Compatibility: Available in various sizes and configurations to suit different excavator models and applications.

Model	RSMB-1.5	RSMB-2.5	RSMB-3.5	RSMB-5	RSMB-8	RSMB-12-HD	RSMB-12	RSMB-20-HD	RSMB-20	RSMB-30	RSMB-40
Ton Range	1-2T	2-3T	3-4T	5-6T	8-10T	12-16T	12-16T	18-26T	18-26T	30-35T	38-45T
Width(mm)	1000	1200	1200	1200	1500	1500	1500	1800	2000	2000	2400
Weight(Kgs)	85	142	180	208	345	485	420	1150	925	1710	2605

Tilting Bucket


Features:

Hydraulic Tilting Mechanism: equipped with a hydraulic tilting mechanism that allows the bucket to tilt side to side, typically up to 45 degrees in both directions.

Versatility: Can be used for a wide range of applications, including ditching, grading, slope finishing, and landscaping, making them versatile attachments for excavators.

Flat Bottom: The bottom of a mud bucket is typically flat, allowing for precise grading and leveling of surfaces.

Enhanced Precision: The hydraulic tilting mechanism allows for precise control over the bucket angle, enabling operators to achieve accurate grades and slopes.

Durable Construction: Constructed from high-strength steel and other durable materials to withstand the rigors of heavy-duty use.

Compatibility: available in various sizes and configurations to suit different excavator models and applications.

Model	RSTB-2-DG	RSTB-2	RSTB-3-DG	RSTB-3	RSTB-5	RSTB-8	RSTB-12	RSTB-20	RSTB-30
Ton Range	1-3T	1-3T	3-4T	3-4T	5-6T	8-10T	12-14T	20-25T	30-35T
Width(mm)	1000	1000	1000	1200	1200	1500	1500	2000	2200
Tilting Degree	45	45	45	45	45	45	45	45	45
Working Pressure	18	18	18	18	18	21	25	26	28
Cylinder	Single	Double	Single	Double	Double	Double	Double	Double	Double
Weight(Kgs)	115	120	220	250	291	406	702	1350	2270

Skeleton Bucket

Features:

Excavator skeleton buckets, also known as sieve or shaker buckets, are specialized attachments used for separating rocks, debris, and other large particles from soil and sand.

Grid Design: Featured a grid-like design with gaps between the bars or tines, allowing fine materials such as soil and sand to pass through while retaining larger debris.

Reinforced Construction: Constructed from high-strength steel to withstand the rigors of heavy-duty use and to resist wear and abrasion.

Bucket Teeth: Some skeleton buckets are equipped with bucket teeth or cutting edges to help break up and scoop materials.

Bucket Capacity: Come in various sizes and capacities to suit different excavator models and applications.

Compatibility: Compatible with various excavator models and can be easily attached and detached using a quick coupler system.

Mud Bucket w/BOCE


Model	Ton Range	Width (mm)	Grid Size (mm)	Weight (kg)
RSSB-1.5-M	1-2T	1000	80*80	77
RSSB-2.5-M	2-3T	1200	80*80	132
RSSB-3.5-M	3-4T	1200	80*80	168
RSSB-5-M	5-6T	1200	80*80	205
RSSB-8-M	8-10T	1500	80*80	348
RSSB-12-M	12-16T	1600	80*80	705
RSSB-20-M	18-26T	1800	100*100	1150
RSSB-30-M	30-35T	2000	100*100	1870

GP Bucket w/GET


Model	Ton Range	Width (mm)	Grid Size (mm)	Weight (kg)
RSSB-1.5-T	1-2T	1000	80*80	90
RSSB-2.5-T	2-3T	1200	80*80	132
RSSB-3.5-T	3-4T	1200	80*80	176
RSSB-5-T	5-6T	1200	80*80	205
RSSB-8-T	8-10T	1500	80*80	365
RSSB-12-T	12-16T	1600	80*80	728
RSSB-20-T	18-26T	1800	100*100	1200
RSSB-30-T	30-35T	2000	100*100	1950

HD Bucket w/GET


Model	Ton Range	Width (mm)	Grid Size (mm)	Weight (kg)
RSSB-1.5-HD	1-2T	1000	80*80	71
RSSB-2.5-HD	2-3T	1200	80*80	90
RSSB-3.5-HD	3-4T	600	80*80	122
RSSB-5-HD	5-6T	700	80*80	158
RSSB-8-HD	8-10T	800	100*100	236
RSSB-12-HD	12-16T	1050	120*100	470
RSSB-20-HD	18-26T	1300	150*120	1072
RSSB-30-HD	30-35T	1300	100*100	1467

BOCE: bolt on cutting edge, GET: ground engaging tools, HD: heavy duty.

Rake

Features:

Excavator rakes, also known as land clearing rakes or brush rakes, are attachments used for clearing and raking vegetation, roots, rocks, and other debris.

Rake Design: Have a rake-like design with sturdy tines or teeth that protrude forward, allowing them to penetrate and grab debris while leaving the soil behind.

Rugged Construction: Built with high-strength steel to withstand the rigors of heavy-duty use and resist wear and abrasion.

Bucket Teeth: Some excavator rakes are equipped with bucket teeth or cutting edges to help break up and scoop materials.

Compatibility: Come in various sizes and configurations to suit different excavator models and applications.

Attachment Options: Some rakes can be equipped with additional features such as grapples or thumbs for more efficient handling of debris.

Stick Root Rake


Model	Ton Range	Width (mm)	Weight(Kgs)	Tine Thickness(mm)	Tine Number
RSRE-1.5-RT	1T-2T	600	57	14	5
RSRE-2.5-RT	2T-3T	800	73	14	6
RSRE-3.5-RT	3T-4T	1000	115	14	7
RSRE-5-RT	5T-6T	1200	172	16	8
RSRE-8-RT	8T-10T	1400	240	20	9
RSRE-12-RT	12T-16T	1600	491	25	10
RSRE-20-RT	18T-23T	1800	890	30	11
RSRE-25-RT	24T-28T	2000	1230	35	11
RSRE-30-RT	28T-38T	2000	1635	35	11

Rake w/GET


Model	Ton Range	Width (mm)	Weight(Kgs)	Tine Thickness(mm)	Tine Number
RSRE-05-CT	5T-6T	914	100	16	5
RSRE-08-CT	8T-10T	1220	165	20	5
RSRE-12-CT	12T-16T	1430	343	30	5
RSRE-20-CT	18T-23T	1650	852	35/50	5
RSRE-25-CT	25T-28T	1650	915	35/50	5
RSRE-30-CT	28T-38T	1650	995	40/50	5

Curved Root Rake


Model	Ton Range	Width (mm)	Weight(Kgs)	Tine Thickness(mm)	Tine Number
RSRE-2.5-Bend	1-3T	800	85	14	6
RSRE-3.5-Bend	3T-4T	1000	126	14	7
RSRE-5-Bend	5T-6T	1200	200	16	8
RSRE-8-Bend	8T-10T	1500	367	20	8
RSRE-12-Bend	12T-16T	1800	578	20	8
RSRE-20-Bend	18T-25T	2000	980	25	9

Trapezoid Bucket

Features:

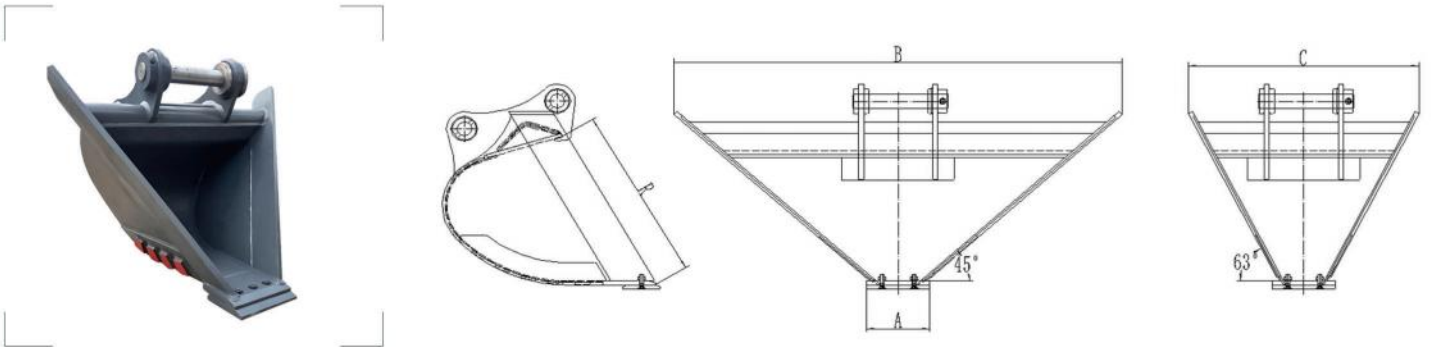
Trapezoid buckets, also known as V-shaped buckets, are specialized excavator buckets designed for efficient digging and trenching in hard and compacted soils.

V-Shaped Design: V-shaped or trapezoidal design, with a narrow leading edge that widens towards the back. This design allows for easier penetration into the ground and improved bucket filling.

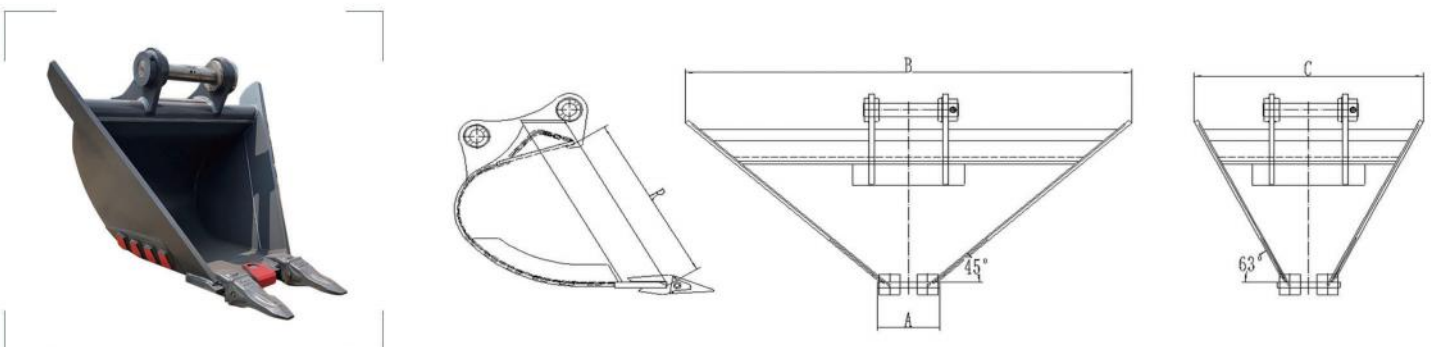
Reinforced Cutting Edge: Typically reinforced along the cutting edge with wear-resistant materials to withstand the abrasion and impact of digging in tough soils.

High-Capacity Design: Allows for a higher capacity compared to standard buckets of the same width, enabling more material to be moved with each scoop.

Durability: Built with high-strength steel and other durable materials to withstand the rigors of heavy-duty use.



Model	RSBM-TB05-T	RSBM-TB08-T	RSBM-TB12-T	RSBM-TB20-T	RSBM-TB30-T
Ton Range	5-6T	8-10T	12-16T	18-26T	30-35T
Width A(mm)	300	350	400	500	500
Width B(mm)		1800	2200	2600	3100
Width C(mm)	900	1000	1400	1500	1800
Opening R(mm)	620	730	850	1080	1250
Weight for 45°(kgs)		285	505	835	1105
Weight for 63°(kgs)	120	195	380	645	905



Model	RSBM-TB05-T	RSBM-TB08-T	RSBM-TB12-T	RSBM-TB20-T	RSBM-TB30-T
Ton Range	5-6T	8-10T	12-16T	18-26T	30-35T
Width A(mm)	300	350	400	500	500
Width B(mm)		1800	2200	2600	3100
Width C(mm)	900	1000	1400	1500	1800
Opening R(mm)	620	730	850	1080	1250
Weight for 45°(kgs)		285	505	835	1105
Weight for 63°(kgs)	120	195	380	645	905

Ripper



Features:

Excavator rippers, also known as ripper teeth or ripper shanks, are attachments used for breaking up hard or compacted materials such as rock, asphalt, and frozen ground.

Single or Multiple Tines: Have a single tine or multiple tines, depending on the application and the material being ripped.

Replaceable Teeth: Have replaceable teeth or tips to ensure durability and easy maintenance.

Heavy-Duty Construction: Built with high-strength steel to withstand the forces encountered during ripping operations.

Versatility: Can be used for various applications, including excavation, demolition, and quarrying.

Compatibility: Come in various sizes and configurations to suit different excavator models and applications.

Model	RSER-1.5	RSER-2.5	RSER-3.5	RSER-5	RSER-8	RSER-14	RSER-20-L	RSER-20-H	RSER-25-L	RSER-25-H	RSER-30-L	RSER-30-H	RSER-45	RSER-75	RSER-90
Ton Range	1T-2T	2T-3T	3T-4T	5T-6T	8T-10T	12T-16T	18T-22T	18T-22T	22T-26T	22T-26T	28T-38T	28T-38T	40T-50T	60T-75T	80T-95T
Weight(Kg)	32	40	57	90	152	242	500	540	564	650	745	912	1125	1925	2160
Tine Thickness	30	30	40	50	50	60	70	70	80	80	80	90	100	110	110

Ripper Bucket

Features:

Ripper bucket is a specialized excavator attachment designed for breaking up hard soil, rock, or pavement.

Ripper Teeth: Equipped with one or more ripper teeth, which are strong, sharp protrusions that penetrate the ground. These teeth are typically made of hardened steel for durability.

Heavy-Duty Construction: Built to withstand the high forces involved in ripping and breaking up hard materials. They are usually made of high-strength steel and have reinforced structural components.

Replaceable Teeth: Replaceable, allowing for easy maintenance and extending the life of the bucket.

Curved Design: Have a curved shape to help improve the penetration and ripping action of the teeth.

Bucket Width: Come in various widths to match the size of the excavator and the specific job requirements.



Compaction Wheel

Features:

Compaction wheels, also known as compaction drums or compaction plates, are attachments used to compact soil, gravel, and other materials.

High Compaction Force: Exert a high level of force on the material being compacted, helping to achieve a dense, stable surface.

Versatility: Can be used for a variety of applications, including road construction, foundation work, and pipeline installation.

Adjustable Width: Adjustable widths, allowing you to compact different widths of trenches or areas without needing to change attachments.

Durable Construction: Typically built with sturdy materials to withstand the rigors of heavy-duty use.

Compaction Wheel-A



Model	RSBM-DCW01	RSBM-DCW03	RSBM-DCW05	RSBM-DCW08	RSBM-DCW12	RSBM-DCW20	RSBM-DCW30
Ton Range	1.7T	3T	5T	8T	12T	20-25T	30-35T
Overall Width(mm)	200	300	380	450	450	600	600
RIM Diameter(mm)	280	380	460	460	500	620	800
Weight(Kg)	90	256	295	320	460	821	1326

Compaction Wheel-B



Model	RSBM-SCW05	RSBM-SCW12	RSBM-SCW16	RSBM-SCW20	RSBM-SCW25	RSBM-SCW35
Ton Range	5-8T	12T	16T	20T	25T	30-35T
Overall Width(mm)	400	600	600	800	880	880
Weight (kgs)	295	515	693	1251	1777	1815

Grading Beam


Features:

Grading beams, also known as grading blades or land-leveling beams, are attachments used with excavators or bulldozers to level, grade, and finish surfaces.

Adjustable Height: Adjustable height settings, allowing operators to control the depth of the cut and the level of the graded surface.

Width Options: Come in various widths to suit different machines and grading requirements.

Durable Construction: Typically constructed from high-strength steel to withstand the rigors of grading and leveling operations.

Precision Grading: Enable precise grading and leveling of surfaces, ensuring a smooth and even finish.

Model	RSBM-GB03-S	RSBM-GB05-S	RSBM-GB05-S	RSBM-GB08-S	RSBM-GB12-S	RSBM-GB20-S
Suit	1-2T	3-4T	5-6T	8-10T	12-16T	18-22T
Width (mm)	1200	1200	1500	1500	1800	2000
Length (mm)	550	580	650	800	850	900
Leveling Width (mm)	1000	1000	1200	1200	1400	1500
Wheel Diameter (mm)	95	102	110	130	145	150
Weight(Kg)	126	150	210	295	385	465

Hydraulic Compactor


Features:

Hydraulic compactors are attachments used to compact soil, gravel, and other materials in construction, landscaping, and roadwork.

High Compaction Force: Deliver high compaction forces to quickly and effectively compact soil and other materials.

Durable Construction: Built with high-strength steel and other durable materials to withstand the rigors of heavy-duty use.

Compatibility: Available in various sizes and configurations to suit different machines and compaction requirements.

Model	RSC02	RSC04	RSC06	RSC08	RSC10
Suit(ton)	2-3	4-9	10-16	17-23	24-30
Power of Impulse(ton)	3	5	10	15	15
Maximum Vibration Frequency(r/min)	1800	1800	1800	1800	1800
Working Flow(lpm)	25-40	45-75	85-105	120-170	120-170
Working Pressure(bar)	100-130	100-130	100-130	120-180	120-180
Weight(kg)	110	300	500	900	950

Hydraulic Grab Bucket


Features:

Hydraulic grab buckets, also known as hydraulic grapples or hydraulic grabs, are attachments used for handling and lifting loose materials such as sand, gravel, and debris.

Two-Sided Design: Typically have two sides that come together to form a grabbing mechanism, allowing for efficient and secure grabbing of materials.

Durability: Constructed from high-strength steel and other durable materials to withstand the rigors of heavy-duty use.

Capacity: Come in various sizes and capacities to suit different materials and lifting requirements.

Model	RSBM-HGB01	RSBM-HGB03	RSBM-HGB05	RSBM-HGB08	RSBM-HGB12	RSBM-HGB20	RSBM-HGB30
Suit	1-3T	3-4T	5-6T	8-10T	12-14T	20-25T	30-35T
Size(mm)	300	350	475	555	640	800	1200
Max Opening(mm)	575	740	1175	1380	1665	1970	2310
Working Pressure(Mpa)	18	18	18	21	25	25	28
Weight(Kg)	95	170	310	450	680	1130	1980

Manual Grapple


Features:

Manual grapples, also known as manual log grapples or manual stone grapples, are hand-operated attachments used for handling and lifting various materials such as logs, stones, and debris.

Simple Operation: operated by the operator using a lever or handle, allowing for precise control over the grapple's movement.

Durable Construction: typically constructed from high-strength steel to withstand the rigors of heavy-duty use.

Jaw Design: Manual grapples feature a jaw-like design with teeth or claws that grip materials securely.

Capacity: come in various sizes and capacities to suit different materials and lifting requirements.

Model	RSBM-MG01	RSBM-MG05	RSBM-MG10	RSBM-MG12	RSBM-MG20	RSBM-MG30	RSBM-MG40
Suit	1-3T	5-6T	8-10T	12-14T	20-25T	30-35T	40-45T
Width(mm)	520	525	650	810	1020	1140	1395
Length of Stick(mm)	800	1100	1100	1200	1400	1500	1600
Weight(Kg)	120	305	362	598	1165	1350	1716

Hydraulic Grapple


Features:

Hydraulic grabs, also known as hydraulic grapples, are versatile attachments used in various industries for material handling, sorting, and loading applications.

Grasping Mechanism: Feature a set of jaws or claws that can open and close to grasp objects. The design of the jaws can vary based on the intended application, with options such as single, double, or multiple jaws.

Versatility: Can be used for various materials, including rocks, logs, scrap metal, and construction debris. They are commonly used in construction, demolition, recycling, and forestry industries.

Durability: Built to withstand rugged environments and heavy-duty use. They are constructed from high-strength materials such as steel to ensure durability and long service life.

Model	RSBM-HG01	RSBM-HG02	RSBM-HG03	RSBM-HG05	RSBM-HG08	RSBM-HG12	RSBM-HG20	RSBM-HG30	RSBM-HG40
Suit	1-2T	2-3T	3-4T	5-6T	8-10T	12-14T	20-25T	30-35T	40-45T
Width(mm)	490	550	570	630	677	820	960	1100	1250
Max Opening(mm)	530	700	700	735	820	1220	1260	1400	1667
Working Pressure(Mpa)	18	18	18	18	21	25	25	28	28
Weight(Kg)	112	165	223	300	502	698	1038	1814	2427

Hydraulic Rotating Grapple


Features:

360-Degree Rotation: Can rotate a full 360 degrees, allowing for precise positioning and handling of materials in any direction.

Durable Construction: built with high-strength steel and other durable materials to withstand heavy-duty use in tough environments.

Versatility: Can handle a wide range of materials, including logs, rocks, scrap metal, demolition debris, and more, making them highly versatile for various applications.

Variable Jaw Configurations: Some models feature interchangeable jaw configurations (such as clamshell, bucket, or log grapple jaws), allowing for greater flexibility and efficiency in different tasks.

Model	RSHRG2A	RSHRG4A	RSHRG6A	RSHRG8A	RSHRG10A	RSHRG14A
Suit(ton)	4-6	7-11	12-16	17-23	24-30	31-40
Weight(kg)	360	440	900	1850	2130	2600
Max Jaw Opening(mm)	1200	1400	1600	2100	2500	2800
Working Pressure(bar)	110-140	120-160	150-170	160-180	160-180	180-200
Set Up Pressure(bar)	170	180	190	200	210	250
Working Flow(lpm)	30-55	50-100	90-110	100-140	130-170	200-250
Cylinder Volume(ton)	4.0*2	4.5*2	8.0*2	9.7*2	12*2	12*2

Manual Thumb


Features:

- Adjustable, easy to install
- Folds away easily when not in use
- Self-storing stiff arm
- Fully gusseted for extra strength

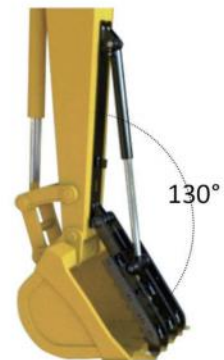


Model	RSBM-MT01	RSBM-MT05	RSBM-MT08	RSBM-MT12	RSBM-MT20	RSBM-MT30
Ton Range	1-3T	5-6T	8-10T	12-16T	18-22T	28-32T
Tine Width(mm)	200	300	300	450	760	760
Tine Length(mm)	600	1002	1150	1200	1430	1800
Number of tine	2	2	2	3	4	4
Weight(kgs)	50	110	140	295	520	985

Weld-on Hydraulic Thumb


Features:

- Welded directly onto the stick of an excavator
- Adjustable, Easy to install
- Available for any pick up size for your excavator
- Link with many attachments, like rakes, mud buckets, rippers, splitters etc.

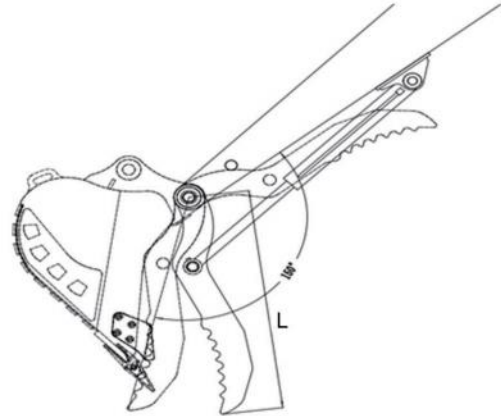
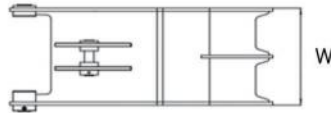


Model	RSBM-WHT-01	RSBM-WHT-05	RSBM-WHT-08	RSBM-WHT-12	RSBM-WHT-20
Ton Range	1-3T	5-6T	8-10T	12-16T	18-22T
Tine Width(mm)	190	250	300	450	600
Tine Length(mm)	605	1100	1150	1250	1455
Number of Tine	2	2	2	3	4
Weight(kgs)	45	130	141	301	459

Features:

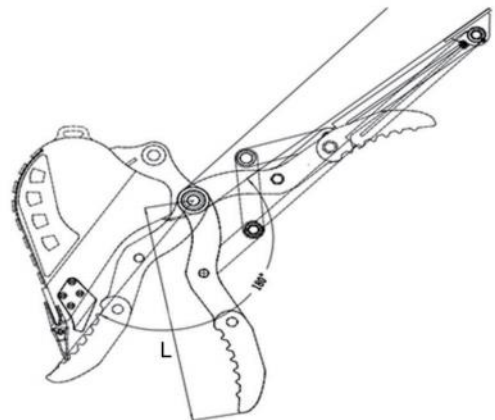
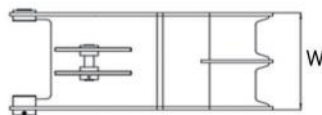
The both of Pin-on and Progressive thumb is more customized, such as the tines, length and width can be customized according to the teeth number and width of your bucket.

Pin-on Thumb



Model	RSBM-HT03	RSBM-HT05	RSBM-HT08	RSBM-HT12	RSBM-HT20
Length L(mm)	700	1000	1000	1200	1500
Width W(mm)	200	400	450	450	640
Number of Tine	2	3	4	4	4
Rotating angle	150	150	150	150	150
Weight (kg)	78	120	198	283	447

Progressive Thumb



Model	RSBM-HTL03	RSBM-HTL05	RSBM-HTL08	RSBM-HTL12	RSBM-HTL20	RSBM-HTL30	RSBM-HTL40
Length L(mm)	700	900	1100	1300	1500	1700	1900
Width W(mm)	300	400	500	500	600	850	850
Number of Tine	2	4	4	4	4	4	4
Rotating angle	180	180	180	180	180	180	180
Weight (kg)	103	152	213	387	573	619	997

Clamshell Bucket



- Features:**
- Dual Shells
 - Various Sizes
 - Material Options

Model	RSBM-CB07	RSBM-CB12	RSBM-CB18	RSBM-CB30	RSBM-CB45
Suit	7-12T	12-16T	18-26T	30-36T	45-50T
Opening(mm)	1200	1600	2000	2300	2550
Width(mm)	700	800	900	900	1100
Height(mm)	810	1100	1310	1500	1700
Weight(kgs)	915	1197	1395	1563	2019

Sorting Grab



- Features:**
- Strong Gripping Force
 - High Durability
 - 360-Degree Rotation
 - Closed or Semi-Closed Design

Model	RSSG1400	RSSG1800	RSSG2200	RSSG2300
Suit(ton)	6-9	9-16	18-26	28-35
Weight(kg)	530	1130	1880	2410
Height(mm)	1370	1860	2130	2470
Width(mm)	620	850	1100	1380
Opening(mm)	1400	1800	2200	2300
Driving Pressure(bar)	180	260	320	320
Driving Flow(lpm)	100	100	200-250	200-250

Orange Peel Grapple



- Features:**
- Multiple Tines
 - Strong Gripping Force
 - Durable Construction
 - 360-Degree Rotation

Model	RS004A	RS006A	RS008A	RS006B	RS008B
No. of Jaw(pcs)	4/5	4/5	4/5	4/5	4/5
Suit(ton)	6-9	10-17	18-25	10-17	18-25
Weight(kg)	355/420	900/1000	1650/1900	850/1000	1700/1950
Max Open Jaw(mm)	1200	1600	2050	1900	2500
Height of Opened Grapple(mm)	1000	1500	1700	1550	2000
Working Pressure(bar)	200	260	320	260	320
Working Flow(lpm)	50-100	60-120	200-250	60-120	200-250
Capacity(m ³)	0.3	0.4	0.8	0.5	1

Tree Cutter



Features:

Blades: Equipped with strong and sharp blades that are used to cut through trees and branches. The blades are typically made of hardened steel for durability.

Cutting Capacity: Come in various sizes and have different cutting capacities. Some are designed to cut through small trees and branches, while others can handle larger trees.

Versatility: Can be used for various tasks, such as clearing trees and brush, trimming branches, and cutting logs into manageable pieces.

Durability: Built to withstand the rigors of heavy-duty tree cutting work, ensuring long-term reliability and performance.

Model	RSTC-06	RSTC-10	RSTC-15
Suit (ton)	6-8T	10-14T	15-16T
Opening Size(ton)	530	820	820
Max Cutting Diameter (mm)	150	200	200
Working Pressure (Mpa)	32	32	32
Weight (kg)	340	850	850

Stump Shear



Features:

A stump shear, also known as a stump splitter or stump cutter, is a specialized attachment used for cutting and removing tree stumps.

Blades: Equipped with strong and sharp blades that are used to cut through tree stumps. The blades are typically made of hardened steel for durability.

Cutting Capacity: Come in various sizes and have different cutting capacities. Some are designed to cut through small stumps, while others can handle larger stumps.

Stump Remover



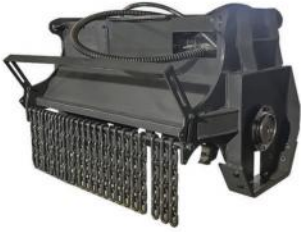
Features:

A stump remover, also known as a stump grinder, is a powerful tool used to remove tree stumps by grinding them down into small wood chips.

Attachments: Can be equipped with additional attachments, such as a chip collection system, to make cleanup easier.

Durability: Built to withstand the rigors of grinding through tough wood, so they are typically made from heavy-duty materials that can withstand the forces involved.

Flail Mulcher


Features:

Flail mulchers, also known as flail mowers, are versatile tools used for cutting and mulching vegetation.

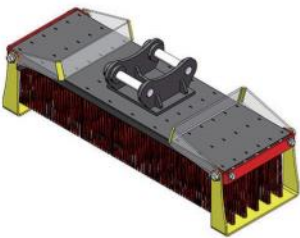
Flail Design: Have a series of small blades, or flails, attached to a rotating drum. This design allows for a more aggressive cutting action compared to traditional rotary mowers.

Durability: Typically built with sturdy materials to withstand heavy use and rough terrain.

Adjustable Cutting Height: Many flail mulchers offer adjustable cutting heights, allowing you to customize the cutting height to suit your needs.

Machine	Excavator				Skid Steer Loader	
Model	RSMH30	RSMH50	RSMCD120	RSMCD200	RSHM60	RSHM72
Tonnage	1.7-5	4.5-8	8.0-15	20.0-30.0		
Length(mm)	1060	1350	1380	1766	1766	1966
Width(mm)	680	595	860	860	920	920
Height(mm)	660	440	830	830	1500	1500
operating width(mm)	800	1000	1150	1500	1500	1700
operating flow(Lpm)	30-45	45-60	80-120	155-160	96-115	155-160
Operating pressure(Bar)	180-220	180-220	180-220	180-220	180-220	180-220
Form of blade	Floating	Floating	Stable	Stable	Stable	Stable
Number of blade(Pcs)	11	13	27	37	37	43
Weight(Kgs)	135	236	680	1160	880	1050

Broom


Features:

Brooms, also known as sweeper attachments.

Attachment Mechanism: Easily attached to the excavator arm using a quick coupler or a similar attachment mechanism. This allows for quick and easy installation and removal.

Durable Construction: Typically built with durable materials like steel to withstand the rigors of heavy-duty use in construction and industrial settings.

Versatility: Adjustable settings or optional attachments that allow them to be used for different cleaning tasks, such as snow removal or sweeping up spills.

Model	RSBM-B-03	RSBM-B-08	RSBM-B-12
Ton Range	1-3T	3-8T	8-15T
Width(mm)	1200	1500	1800
Weight(kgs)	120	150	280

Hydraulic Quick Hitch



Features:

Hydraulic quick hitches, also known as quick couplers or quick attachments, are devices used to quickly and easily change excavator attachments without the need for manual intervention.

Model	RSMINI	RS45	RS50/55	RS60/65	RS70/80	RS90	RS100/110
Suit(ton)	1.5-4	4-7	5-8	9-19	17-23	23-30	33-45
Weight(kg)	25	50-60	80	120-130	280-290	420-430	450-580
Retractable Distance of Oil Cylinder(mm)	170-206	205-275	340-450	340-486	256-390	413-590	520-590
Top to Bottom Pin Distance(mm)	159	195	195	220	275	300	360
Working Pressure(bar)	32-40	32-40	32-40	32-40	32-40	32-40	32-40
Working Flow(lpm)	10-20	10-20	10-20	10-20	10-20	10-20	10-20

Mechanical Quick Hitch



Features:

Manual quick hitches, also known as manual couplers or manual quick couplers, are attachments used to quickly and easily change excavator attachments.

Tilting Quick Hitch

Features:

Tilting hydraulic quick hitches are specialized attachments that combine the features of a hydraulic quick hitch with the ability to tilt the attached tool or bucket.

Tilting Function: Allows the attached tool or bucket to be tilted to a certain degree, typically up to 45 degrees in both directions.



45 degrees on each side



90 degrees on each side

Mechanical Pulverizer


Features:

Jaws: Strong, durable and adjustable.

Versatility: Can be used for various tasks, such as crushing concrete, separating rebar from concrete, and reducing concrete into smaller pieces for easy disposal or recycling.

Durability: Built to withstand the rigors of heavy-duty construction work, ensuring long-term reliability and performance.

Model	RSBM-MP20	RSBM-MP25	RSBM-MP30	RSBM-MP40
Ton Range	18-22T	24-28T	30-35T	40-45T
Opening(mm)	790	790	880	960
Weight(kgs)	1510	1750	2320	3450

Hydraulic Pulverizer


Features:

Crushing Force: Deliver high crushing forces to break down concrete, rock, and other materials into smaller pieces.

Versatility: Can be used for primary demolition to break down structures or for secondary demolition to further reduce debris size.

Interchangeable Jaws: Many hydraulic pulverizers feature interchangeable jaws, such as concrete pulverizing jaws, steel cutting jaws, and concrete cracking jaws, to suit different demolition tasks.

Durable Construction: Constructed from high-strength steel and other durable materials to withstand the rigors of heavy-duty use.

Model	RSH80M	RSH180D	RSH280D	RSH380D	RSH280C	RSH180X	RSH280X	RSH380X	RSH280E
Suit(ton)	4-8	9-16	18-30	32-40	18-30	9-16	18-30	32-40	18-30
Weight(kg)	400	800	1600	2100	1600	1100	1900	2500	1600
Opening(mm)	410	570	810	910	880	570	810	910	880
Blade Length (mm)	130	130	230	230	170	130	230	230	170
Height(mm)	1310	1520	2320	2420	2440	1820	2650	2760	2440
Width(mm)	388	388	700	800	500	600	700	800	500
Crushing Force(ton)	40	65	95	120	95	65	95	120	95
Rated Pressure(bar)	260	280	300	320	300	280	300	320	300
Rated Flow (lpm)	140-160	180-200	220-260	220-280	220-260	180-200	220-260	220-280	220-260
Working Pressure(bar)	240	260	280	300	280	260	280	300	280
Rotating Motor Pressure(bar)						90	120	120	120
Rotating Motor Flow(lpm)						30-50	40-60	45-70	40-60

Side Type Hydraulic Breaker



Features:

High Impact Force: Deliver high impact force to break through tough materials like concrete, rock, and asphalt.

Versatility: Come in various sizes and configurations to suit different applications and machinery sizes.

Durable Construction: Constructed from high-strength steel and other durable materials to withstand the rigors of heavy-duty demolition work.

Parameter Table:

Model	RSSTB100S	RSSTB200S	RSSTB300S	RSSTB400S	RSSTB600S	RSSTB800S	RSSTB900S	RSSTB1600S
Weight(kg)	105	135	150	300	410	450	800	1600
Length(mm)	900	1100	1200	1347	1528	1920	2260	2695
Pressure(bar)	90-120	90-120	90-120	110-140	110-160	120-170	150-170	160-180
Flow(lpm)	12-25	20-40	25-50	40-70	50-90	60-100	80-120	120-160
Rate(bmp)	900-1400	700-1200	600-1100	500-900	500-800	400-700	400-700	400-700
Hose(inch)	1/2	1/2	1/2	1/2	1/2	3/4	3/4	1
Chisel(mm)	40	45	53	68/70	75	85	100	135
Suit(ton)	0.8-2.0	1.2-3.0	2.5-4.5	4-7	6-9	7-14	11-16	19-26

Model	RSSTB1900S	RSSTB3500S	RSSTB4500S	RSSTB5000S	RSSTB5500S	RSSTB6000S	RSSTB6500S
Weight(kg)	1840	2800	3200	4000	5000	5700	6200
Length(mm)	2810	3152	3310	3400	3400	3420	3700
Pressure(bar)	160-180	160-180	160-180	160-180	180-220	200-240	200-240
Flow(lpm)	130-170	170-220	200-300	210-290	220-300	230-320	360-450
Rate(bmp)	400-600	250-400	250-350	200-350	200-250	150-200	150-200
Hose(inch)	1	1	1 1/4	1 1/4	1 1/4	1 1/4	1 1/4
Chisel(mm)	140	155	165	175	185	195	205
Suit(ton)	19-26	28-40	36-45	40-55	50-60	55-65	65-100

Top Type Hydraulic Breaker



Features:

High Impact Force: Deliver high impact force to break through tough materials like concrete, rock, and asphalt.

Versatility: Come in various sizes and configurations to suit different applications and machinery sizes.

Durable Construction: Constructed from high-strength steel and other durable materials to withstand the rigors of heavy-duty demolition work.

Parameter Table:

Model	RSTTB100	RSTTB200	RSTTB300	RSTTB400	RSTTB600	RSTTB800	RSTTB900	RSTTB1600
Weight(kg)	85	140	160	355	440	640	900	1800
Length(mm)	1000	1300	1400	1700	1750	2100	2400	2700
Pressure(bar)	90-120	90-120	90-120	110-140	110-160	120-170	150-170	160-180
Flow(lpm)	15-25	20-40	25-50	40-70	50-90	60-100	80-120	120-160
Rate(bmp)	900-1400	700-1200	600-1100	500-900	500-800	400-700	400-700	400-700
Hose(inch)	1/2	1/2	1/2	1/2	1/2	3/4	3/4	1
Chisel(mm)	40	45	53	68/70	75	85	100	135
Suit(ton)	0.8-2.0	1.2-3.0	2.5-4.5	4-7	6-9	7-14	11-16	19-26

Model	RSTTB1900	RSTTB3500	RSTTB4500	RSTTB5000	RSTTB5500	RSTTB6000	RSTTB6500
Weight(kg)	1970	2850	3160	4120	4800	5300	7200
Length(mm)	2860	3100	3286	3800	3700	4200	4300
Pressure(bar)	160-180	160-180	160-180	160-180	180-220	200-240	200-240
Flow(lpm)	130-170	170-220	200-300	210-290	220-300	230-320	360-450
Rate(bmp)	400-600	250-400	250-350	200-350	200-250	150-200	150-200
Hose(inch)	1	1	1 1/4	1 1/4	1 1/4	1 1/4	1 1/4
Chisel(mm)	140	155	165	175	185	195	205
Suit(ton)	19-26	28-40	36-45	40-55	50-60	55-65	65-100

Box Type Hydraulic Breaker



Features:

Noise Reduction: Known as silenced, are specialized tools designed for reducing noise levels during demolition and excavation work.

Vibration Reduction: Include damping systems to minimize vibration.

High Impact Force: Deliver high impact force to break through tough materials like concrete, rock, and asphalt.

Versatility: Come in various sizes and configurations to suit different applications and machinery sizes.

Durable Construction: Constructed from high-strength steel and other durable materials to withstand the rigors of heavy-duty demolition work.

Parameter Table:

Model	RSBTB100	RSBTB200	RSBTB300	RSBTB400	RSBTB600	RSBTB800	RSBTB900	RSBTB1600
Weight(kg)	100	167	194	363	450	730	970	1950
Length(mm)	1000	1300	1400	1700	1750	2100	2400	2700
Pressure(bar)	90-120	90-120	90-120	110-140	110-160	120-170	150-170	160-180
Flow(lpm)	15-25	20-40	25-50	40-70	50-90	60-100	80-120	120-160
Rate(bmp)	900-1400	700-1200	600-1100	500-900	500-800	400-700	400-700	400-700
Hose(inch)	1/2	1/2	1/2	1/2	1/2	3/4	3/4	1
Chisel(mm)	40	45	53	68/70	75	85	100	135
Suit(ton)	0.8-2.0	1.2-3.0	2.5-4.5	4-7	6-9	7-14	11-16	19-26

Model	RSBTB1900	RSBTB3500	RSBTB4500	RSBTB500	RSBTB5500	RSBTB6000	RSBTB6500
Weight(kg)	2050	3000	3300	4250	4900	5400	7400
Length(mm)	2860	3100	3286	3800	3700	4200	4300
Pressure(bar)	160-180	160-180	160-180	160-180	180-220	200-240	200-240
Flow(lpm)	130-170	170-220	200-300	210-290	220-300	230-320	360-450
Rate(bmp)	400-600	250-400	250-350	200-350	200-250	150-200	150-200
Hose(inch)	1	1	1 1/4	1 1/4	1 1/4	1 1/4	1 1/4
Chisel(mm)	140	155	165	175	185	195	205
Suit(ton)	19-26	28-40	36-45	40-55	50-60	55-65	65-100

Crusher Bucket


Features:

Crusher buckets are attachments for excavators that allow for crushing and recycling of materials directly on site.

Versatility: Can crush a variety of materials, including concrete, rubble, stone, asphalt, and more. This makes them versatile tools for a range of applications, such as demolition, road construction, and landscaping.

Time Savings: Allow for on-site crushing, reducing the time and effort required to process materials. This can lead to faster project completion times.

Adjustable Output Size: Offer adjustable output sizes, allowing you to produce materials of different sizes to suit your specific needs.

Durable Construction: Typically built with durable materials to withstand the rigors of heavy-duty use.

Model	RSCB120	RSCB200	RSCB260	RSCB350	RSCB670	RSCB870
Suit(ton)	10-18	18-30	24-36	30-45	50-70	75-90
Length(mm)	1617	2056	2506	2346	2882	2882
Width(mm)	1055	1325	1425	1576	2105	2271
Height(mm)	1313	1731	1731	1665	2137	2137
Own Weight(ton)	1359	3450	/	4220	6850	7668
Feed Opening Size(mm)	400*550	500*700	500*800	500*1000	670*1150	670*1316
Outlet Size(mm)	10-100	10-100	10-100	20-130	30-170	30-200
Capacity(m ³)	0.45	0.74	0.88	1.15	1.47	2.23
Pressure(Mpa)	23-25	23-25	23-25	23-25	23-25	23-25
Flow(L/min)	180	260	260	260	450	600
Motor Rated Speed(r/min)	350-400	350-400	350-400	350-400	300-400	300-400

Drag Bucket


Features:

Huge capacity: Very large, which can hold several tons of materials

Long distance operation: Can dig and move materials over a long distance

High efficiency: Can quickly excavate and move a large amount of materials

Strong adaptability: Can adapt to different types of soil, rock and other materials, so it can be used in various types of projects

Model	RSBM-DB005	RSBM-DB012	RSBM-DB018
Ton Range	5-8T	12-16T	18-22T
Width A(mm)	350	360	450
Width B(mm)	800	1000	1300
length C(mm)	1300	1600	2000
Height H(mm)	1020	1230	1350
Capacity(m ³)	0.58	1.2	2.1
Weight(Kgs)	325	562	891

Rotary Screening Bucket



- Features:**
- 360-Degree Rotation
 - Versatility
 - Interchangeable Screens
 - Durable Construction

Model	RSRSB-03	RSRSB-06	RSRSB-12	RSRSB-20	RSRSB-25	RSRSB-30
Size(Ton)	3-5T	6-8T	10-16T	18-23T	25-29T	30-36T
Weight(kg)	230	340	830	1270	2250	3945
Mesh Diameter*Height	Φ610*450	Φ880*640	Φ1000*780	Φ1140*1015	Φ1540*1180	Φ1940*1590
Speed(min/r)	0-35	0-35	0-35	0-35	0-35	0-35
Capacity(m ³)	0.13	0.22	0.62	1.2	2.4	4.7
Oil Flow(L)	40	40	65	65	65	160
Max Pressure(Mpa)	30	30	30	30	30	30

Hydraulic Shear



- Features:**
- High Cutting Capacity&Force
 - Durable Construction
 - 360-Degree Rotation
 - Interchangeable Blades

Model	RS80V	RS180V	RS280V	RS380V
Suit(ton)	6-10	12-18	20-30	26-35
Weight(kg)	360	1280	1600	2000
Opening(mm)	390	650	730	810
Blade Length(mm)	100	150	180	180
Height(mm)	1280	1890	2010	2120
Width(mm)	850	1285	1350	1500
Crushing Force(ton)	20	80	100	120
Cutting Force(ton)	50	165	210	260
Driving Pressare(bar)	250	300	300	300
Drving Flow(lpm)	180	230	240	240
Cycle Time Open(sec)	2.1	2.9	2.9	2.9
Cycle Time Close(sec)	2.7	2.7	2.7	2.7

Excavator Magnet Lift



- Features:**
- Electromagnetic Operation
 - Variable Lifting Capacity
 - Versatility
 - Durable Construction

Model	RSEM900	RSEM1000	RSEM1100	RSEM1200	RSEM1300	RSEM1500	RSEM1650
Weight(kg)	734	922	1010	1212	1558	1982	2418
Diameter(mm)	900	1000	1100	1200	1300	1500	1650
Capacity Iron Palte(kg)	4500	5500	6500	7500	8500	11000	12500
Capacity Waste Steel(kg)	600	800	1000	1300	1400	1900	2300
Capacity Waste Iron(kg)	200	300	400	600	800	1000	1200
Electric Current (A)	26.8	31	35	45.5	54.5	70.9	75
Electric Power(kw)	5.9	6.2	7.7	10	12	15.6	16.5
Suit(ton)	10-15	18-25	18-25	18-25	27-30	32-45	47-50

Pile Hammer


Features:

A pile hammer is a device used to drive piles into soil to provide foundation support for buildings, bridges, and other structures. The main features of a pile hammer include:

Impact Energy: Deliver a high impact energy to the pile, which helps to drive it into the ground.

Efficiency: Designed to be efficient in driving piles, minimizing the time and effort required to complete the foundation work.

Compatibility: Designed to be compatible with different types and sizes of piles, ensuring versatility in various construction projects.

Model	RSPH02	RSPH04	RSPH06	RSPH08	RSPH10
Suit(ton)	12-17	18-25	30-40	40-50	40-65
Eccentric Moment(Nm)	32	36	50	65	85
Frequency(rpm)	2500	2800	2800	2800	2800
Centrifugal Force(kN)	172	265	420	580	750
Working Pressure(bar)	300	300	320	320	320
Working Flow(lpm)	120	155	168	210	255
MaxTurning(degree)	180	180	180	180	180

Earth Auger


Features:

different Auger diameter and deep
with auger drivers, extensions, bracket



Side shift hitch



Double pin hitch



Hanger bracket



Standard Boom & Arm


Features:

Strength and Durability

Versatility

Model	RSSBA006	RSSBA012	RSSBA020	RSSBA030	RSSBA035	RSSBA040	RSSBA045
Total Length (mm)	5935	7720	9425	11100	11140	11940	12040
Weight(kg)	5300	12000	19900	31200	33000	42100	45125
Bucket Capacity(m ³)	0.2	0.5	0.8	1.4	1.6	2.0	2.1
Max Digging Height (mm)	5850	8610	10000	10210	10210	10925	10925
Max Digging Depth(mm)	3800	5520	6620	7380	7380	7790	7790
Overall Height (mm)	2550	2175	3040	3280	3280	3400	3400

Long Reach Boom & Arm


Features:

Extended Reach

Increased Digging Depth

Strength and Stability

Versatility

Model	RSLBA012	RSLBA020	RSLBA025	RSLBA030	RSLBA035	RSLBA040	RSLBA045
Extension Arm	7100	8220	8220	10000	11000	12000	13000
Extended Bucket Rod(mm)	5900	7160	7160	8000	9000	10000	11000
Transport Height(mm)	2900	2980	3050	3210	3210	3400	3400
Radius(mm)	11200	14500	14500	17300	19200	21100	22900
Maximum Unload Height(mm)	73500	10390	10490	11720	12920	14240	15230
Maximum Digging Height(mm)	9350	12510	12610	13920	15120	16900	17800
Maximum Digging Depth(mm)	9000	11340	11370	13010	15000	16500	18000
Bucket Capacity(m ³)	0.3	0.4	0.4	0.4	0.5	0.6	0.6
Spare Cylinder Size(ton)	12	12	12	12	12	20	20
Working Weight(kg)	3000	4000	4200	5200	6000	6500	7000

Demolition Boom


Features:

Extended Reach

Increased Height

Strength and Stability

Versatility

Model	RSDB025	RSDB030	RSDB035	RSDB040	RSDB045
Total Length for 3 Segments(mm)	16000	18000	20000	22000	24000
Transport Height(mm)	3160	3300	3300	3400	3400
Lifting Transport Height(mm)	14900	17000	19000	21050	23100
Hydraulic Shear Weight limit(kg)	2000	2000	2000	2000	2000
Spare Cylinder Size(ton)	20	20	20	22	22
Working Weight(kg)	5000	6500	7000	7800	8500
Counter Weight(ton)	4	4.5	4.5	5	5

Loader Bucket

Features:

Wide and shallow bucket with flat bottom and larger capacity; Generally with teeth.



Applications:

General digging of clay and loading of sand, earth, crushed stone and gravel, etc.



Loader Skeleton Bucket

Applications:

The Loader Skeleton Bucket is ideal for separating debris and rocks in construction and demolition.



Loader Grapple

Applications:

The Loader Grapple is used for handling large materials like logs and debris.



Loader Rake

Applications:

The Loader Rake is ideal for clearing debris, rocks and brush in construction and landscaping.



OEM&ODM

OEM & ODM Manufacturing Support

At RSBM, we proudly offer OEM & ODM services to meet the unique requirements of our clients.

With advanced manufacturing capabilities, a skilled engineering team, and strict quality control, we provide customized excavator attachments tailored to your specifications.

Whether you need branding, design modifications, or fully customized products, we ensure precision, durability, and performance in every piece. Partner with us to develop high-quality, cost-effective solutions that align with your market demands.

Let's build success together—your vision, our expertise! Contact us today to discuss your OEM & ODM needs.

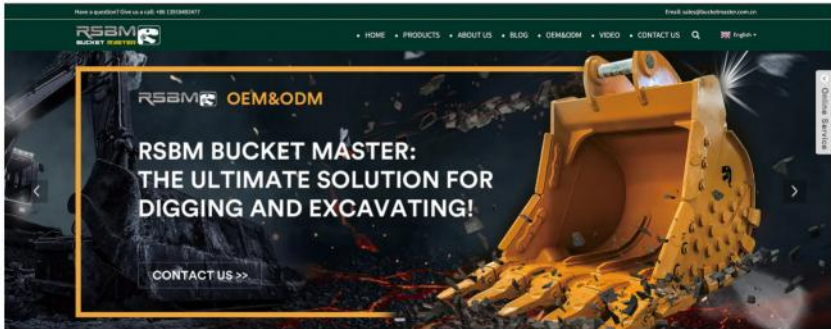


With decades of expertise in the industry, RSBM has established itself as a trusted partner for construction machinery solutions.

Whether you require large-scale orders or specialized attachments, we ensure efficiency, durability, and reliability in every product we produce.



How to contact us



Website

rsbmbucket.com
 bucketmaster.com.cn

Soical Media

- Facebook: RSBM Bucket
facebook.com/rsbmbucket/
- Instagram: rsbm_excavatorbucket
instagram.com/rsbm_excavatorbucket/
- YouTube: RSBM Excavator Attachment Suppliers
youtube.com/@rsbmexcavatorattachmentsup2160
- LinkedIn: RanSun Bucket-Excavator Buckets Supplier
linkedin.com/company/ransunexcavatorbucket/



Email: sales@bucketmaster.com.cn

Tel/Whatsapp: +8613918492477
 +8617701744780
 +8617721266284

RSBM Will guarantee product quality. You can just feel it when you are working.



RSBM
BUCKET MASTER



斗阳重工
RSBM BUCKET

+86 139 1849 2477
sales@bucketmaster.com.cn
www.rsmbucket.com